

DISCRIPTION

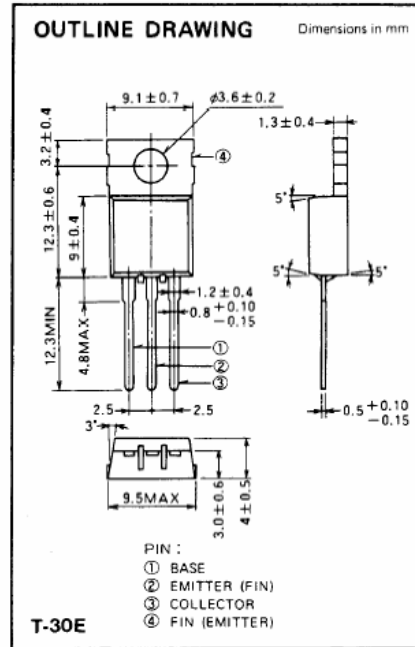
2SC3133 is a silicon NPN epitaxial planar type transistor designed for RF power amplifiers in HF band mobile radio applications.

FEATURES

- High power gain: $G_{pe} \geq 14\text{dB}$
@f = 27MHz, $V_{CC} = 12\text{V}$, $P_O = 13\text{W}$
- Emitter ballasted construction for high reliability and good performances.
- High ruggedness: The ability withstand infinite VSWR when operated at f = 27MHz, $P_O = 16\text{W}$, $V_{CC} = 16\text{V}$.
- Intermodulation distortion: $\text{IMD} \leq -25\text{dB}$
@f = 27MHz, $V_{CC} = 12\text{V}$, $P_O = 13\text{W}$ (PEP)
- Input/output impedance:
 $Z_{in} = 1.8 - j2.5(\Omega)$, $Z_{out} = 7.0 - j3.5(\Omega)$
@f = 27MHz, $V_{CC} = 12\text{V}$, $P_O = 13\text{W}$

APPLICATION

10 watts output power amplifiers in HF band SSB mobile radio application.



ABSOLUTE MAXIMUM RATINGS ($T_C = 25^\circ\text{C}$ unless otherwise specified)

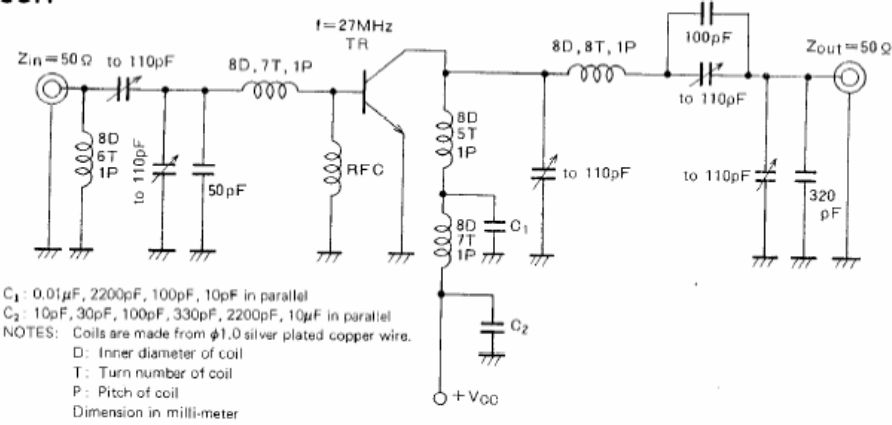
Symbol	Parameter	Conditions	Ratings	Unit
V_{CB0}	Collector to base voltage		60	V
V_{EB0}	Emitter to base voltage		5	V
V_{CE0}	Collector to emitter voltage	$R_{BE} = \infty$	25	V
I_C	Collector current		6	A
P_C	Collector dissipation	$T_a = 25^\circ\text{C}$	1.5	W
		$T_C = 25^\circ\text{C}$	20	W
T_j	Junction temperature		150	$^\circ\text{C}$
T_{stg}	Storage temperature		-55 to 150	$^\circ\text{C}$
R_{th-a}	Thermal resistance	Junction to ambient	83,3	$^\circ\text{C}/\text{W}$
		Junction to case	6,25	$^\circ\text{C}/\text{W}$

Note. Above parameters are guaranteed independently.

ELECTRICAL CHARACTERISTICS ($T_C = 25^\circ\text{C}$ unless otherwise specified)

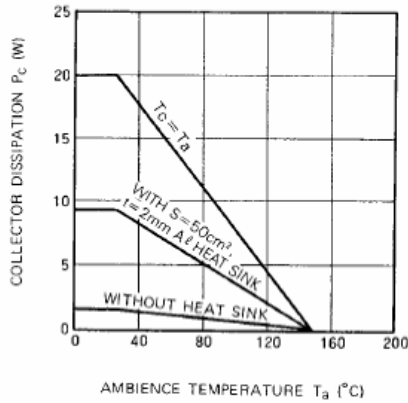
Symbol	Parameter	Test conditions	Limits			Unit
			Min	Typ	Max	
$V_{(BR)EB0}$	Emitter to base breakdown voltage	$I_E = 1\text{mA}$, $I_C = 0$	5			V
$V_{(BR)CB0}$	Collector to base breakdown voltage	$I_C = 5\text{mA}$, $I_E = 0$	60			V
$V_{(BR)CE0}$	Collector to emitter breakdown voltage	$I_C = 10\text{mA}$, $R_{BE} = \infty$	25			V
I_{CBO}	Collector cutoff current	$V_{CB} = 30\text{V}$, $I_E = 0$			500	μA
I_{EBO}	Emitter cutoff current	$V_{EB} = 4\text{V}$, $I_C = 0$			500	μA
h_{FE}	DC current gain*	$V_{CE} = 12\text{V}$, $I_C = 10\text{mA}$	10	50	180	—
P_O	Output power	f = 27MHz, $V_{CC} = 12\text{V}$, $P_{in} = 0.5\text{W}$	13	16		W
η_C	Collector efficiency		60	70		%

TEST CIRCUIT

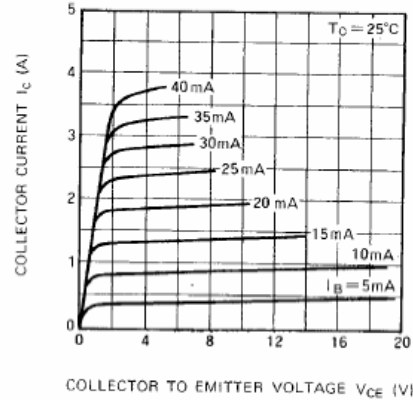


TYPICAL PERFORMANCE DATE

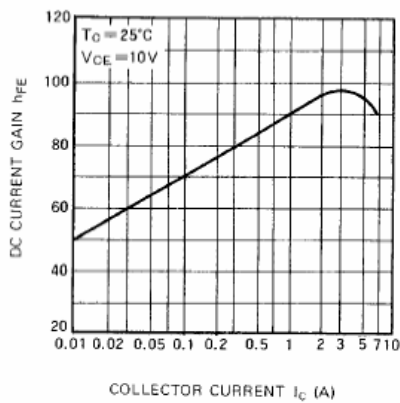
COLLECTOR DISSIPATION VS. AMBIENT TEMPERATURE



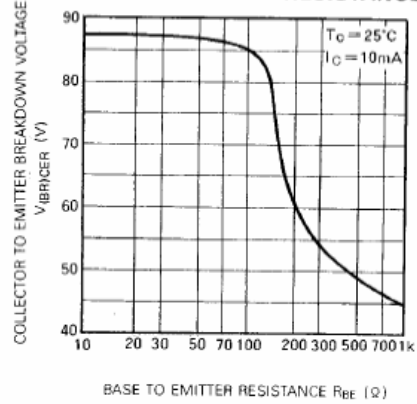
COLLECTOR CURRENT VS. COLLECTOR TO EMITTER VOLTAGE

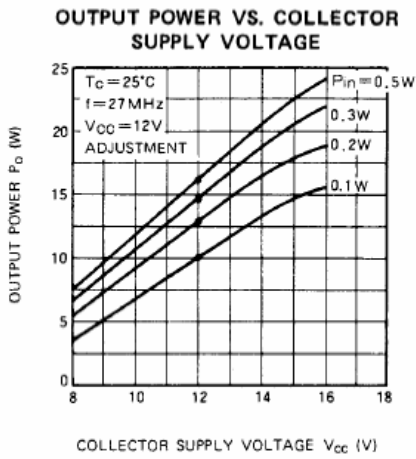
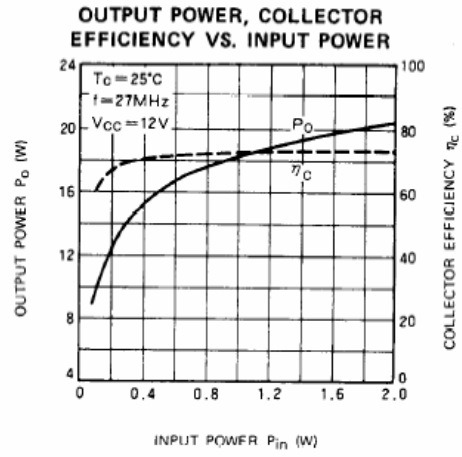
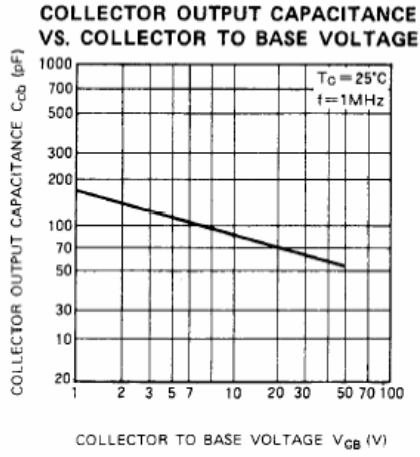


DC CURRENT GAIN VS. COLLECTOR CURRENT



COLLECTOR TO EMITTER BREAKDOWN VOLTAGE VS. BASE TO EMITTER RESISTANCE







ELEFLOW OFFICES

<p>CHINA</p> <p>ELEFLOW TECHNOLOGIES(HQ) Suite1-603, HuaKang Plaza 109 ZhenXing Road, Futian District ShenZhen518031, P.R. China Phone: 86-755-83204665/83204663 Fax: 86-755-8320 4659 Email: eleflow@163.com</p> <p>USA</p> <p>ELEFLOW TECHNOLOGIES(USA) Mr. Ted Seymore (Manager) 3291 NE 4th Ave., Boca Raton Florida 33431-6011, USA Phone: 408-716-8509 Fax: 561-852-0505 Email: tedseymour@adelphia.net</p>	<p>R & D CENTER</p> <p>ELEFLOW TECHNOLOGIES(R&D CENTER) Overseas Chinese High-Tech Venture Park No. 12 South, Hi-tech Park, NanShan Dist. ShenZhen518057, China</p> <p>CHENGDU, CHINA</p> <p>Eleflow Technologies (Chengdu Office) Mr. Ou, Lin (Manager) Suite A401, Qunyi Business Centre 13 ErHuanLu NanYiDuan, Chengdu Sichuan610041, China Phone: 86-28-8521 3480 Fax: 86-28-8521 3480 Email: eleflow@163.com</p>
---	--

