

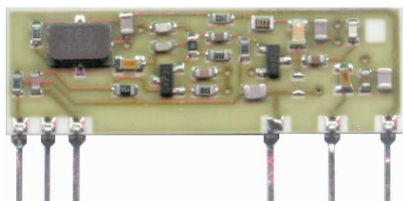
## RT8-868.35

868.350 MHz Radio Transmitter Module with SAW Resonator and External Antenna

### General description

The RT8 is a SAW stabilized ASK (OOK) transmitter. For a better stability and modulation it employs a two transistor design: an oscillator and a separate power amplifier.

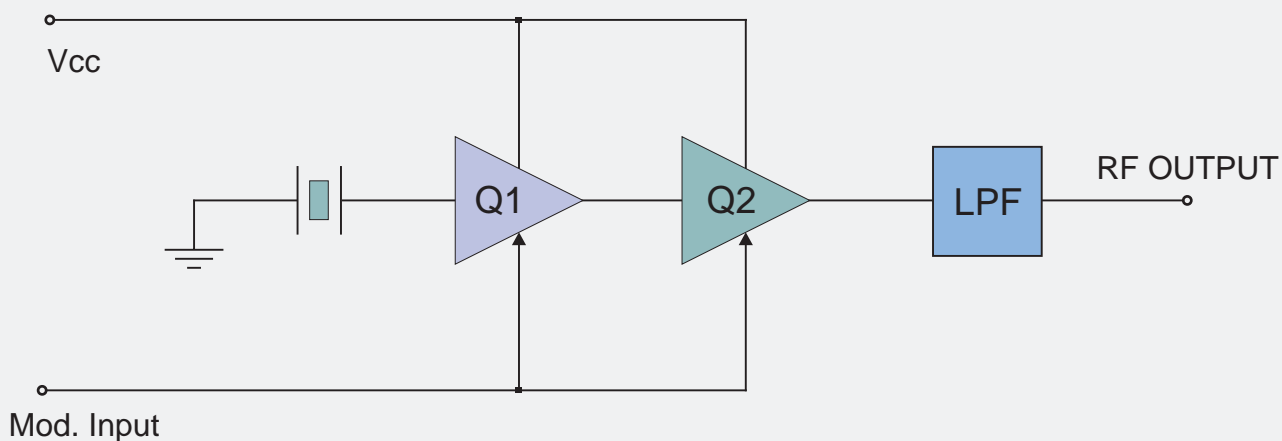
The RT8 is provided by a low-pass filter to attenuate the harmonic emissions.



### Applications

- Wireless security systems
- Car Alarm systems
- Remote gate controls
- Sensor reporting

### CIRCUIT SCHEMATIC



## Electrical Characteristics

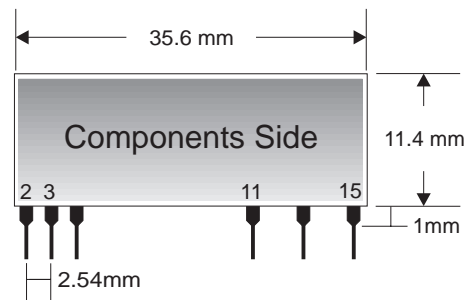
Ta = 25°C unless otherwise specified

CHARACTERISTICS		MIN	TYP	MAX	UNIT
V <sub>CC</sub>	Supply Voltage	4.0		13	VDC
I <sub>CC</sub>	Supply Current (V <sub>CC</sub> =5V IN=1KHz Square Wave)		12		mA
F <sub>W</sub>	Working Frequency		868.350		MHz
	Overall Frequency Accuracy	868.200		868.500	MHz
P <sub>O</sub>	RF Output Power into 50Ω (V <sub>CC</sub> =5V)		7	10	dBm
	Harmonic Spurious Emission		-35		dBc
	Max Data Rate			9.6	Kbps
T <sub>OP</sub>	Operating Temperature Range	-25		+80	°C

## Pin description

2	Mod. Input	11	GND
3	NC	13	RF Output
4	GND	15	Vcc

## Mechanical Dimensions



## TYPICAL APPLICATION

