

Part Number: AM2520EF/4SGD5V

Super Bright Green

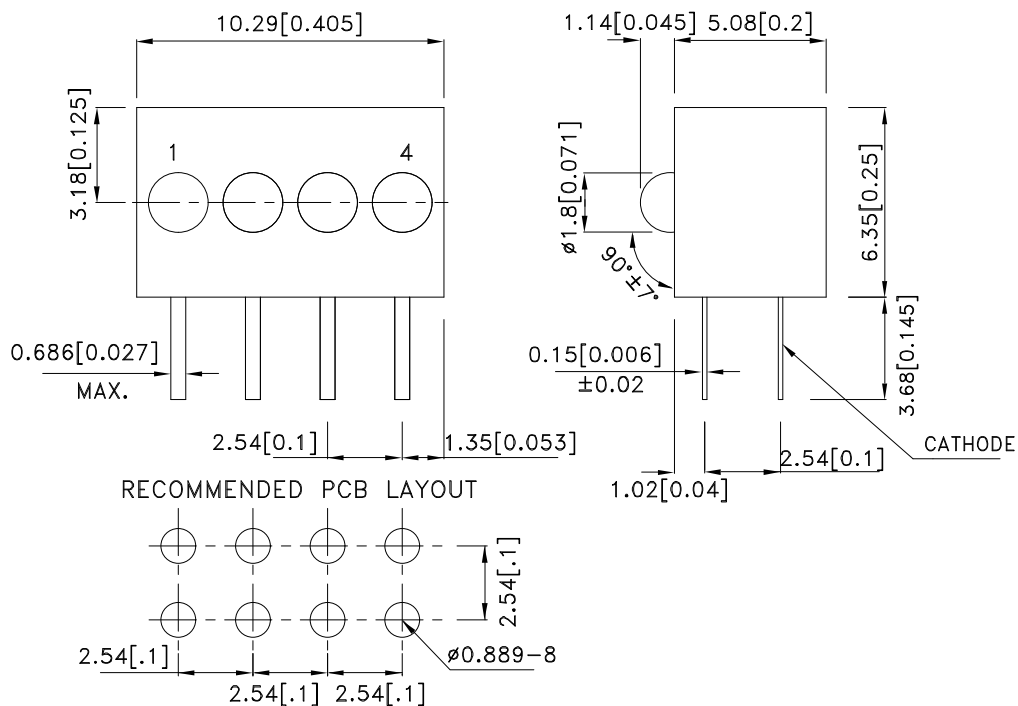
Features

- BLACK CASE ENHANCES CONTRAST.
- VIBRATION AND SHOCK RESISTANT.
- AVAILABLE WITH A VARIETY OF LEDs.
- UL RATING : 94V-0.
- HOUSING MATERIAL: TYPE 66 NYLON.
- 5V INTERNAL RESISTOR.
- RoHS COMPLIANT.

Description

The Super Bright Green source color devices are made with Gallium Phosphide Green Light Emitting Diode.

Package Dimensions



Notes:

1. All dimensions are in millimeters (inches).
2. Tolerance is $\pm 0.25(0.01")$ unless otherwise noted.
3. Lead spacing is measured where the leads emerge from the package.
4. Specifications are subject to change without notice.



Selection Guide

| Part No. | Dice | Lens Type | Iv (mcd) [2] V= 5V | | Viewing Angle [1] |
|-----------------|--------------------------|----------------|-----------------------|------|-------------------|
| | | | Min. | Typ. | 2θ1/2 |
| AM2520EF/4SGD5V | Super Bright Green (GaP) | GREEN DIFFUSED | 1.8 | 8 | 40° |

Notes:

1. θ1/2 is the angle from optical centerline where the luminous intensity is 1/2 the optical centerline value.
2. Luminous intensity/ luminous Flux: +/-15%.

Electrical / Optical Characteristics at TA=25°C

| Symbol | Parameter | Device | Typ. | Max. | Units | Test Conditions |
|-----------------------|--------------------------|--------------------|------|------|-------|---------------------|
| λ_{peak} | Peak Wavelength | Super Bright Green | 565 | | nm | V _F =5V |
| λ_D [1] | Dominant Wavelength | Super Bright Green | 568 | | nm | V _F =5V |
| $\Delta\lambda_{1/2}$ | Spectral Line Half-width | Super Bright Green | 30 | | nm | V _F =5V |
| I _F | Forward Current | Super Bright Green | 11.5 | 17.5 | mA | V _F =5V |
| I _R | Reverse Current | Super Bright Green | | 10 | uA | V _R = 5V |

Note:

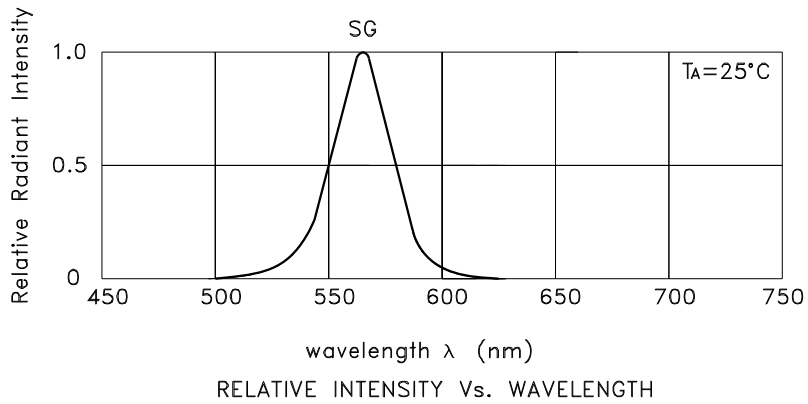
- 1.Wavelength: +/-1nm.

Absolute Maximum Ratings at TA=25°C

| Parameter | Super Bright Green | Units |
|-----------------------------|---------------------|-------|
| Power dissipation | 85 | mW |
| Forward Voltage | 6 | V |
| Reverse Voltage | 5 | V |
| Operating Temperature | -40°C To +70°C | |
| Storage Temperature | -40°C To +85°C | |
| Lead Solder Temperature [1] | 260°C For 3 Seconds | |
| Lead Solder Temperature [2] | 260°C For 5 Seconds | |

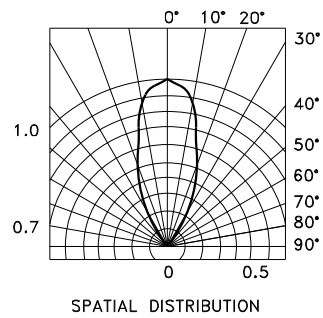
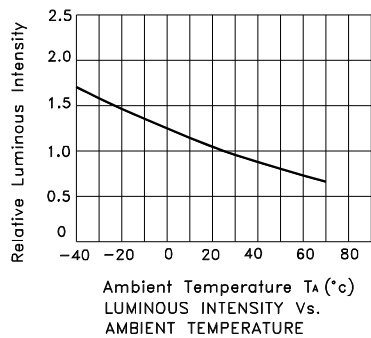
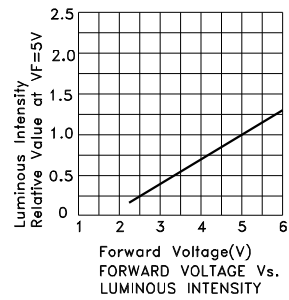
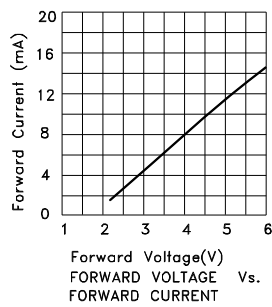
Notes:

1. 2mm below package base.
2. 5mm below package base.



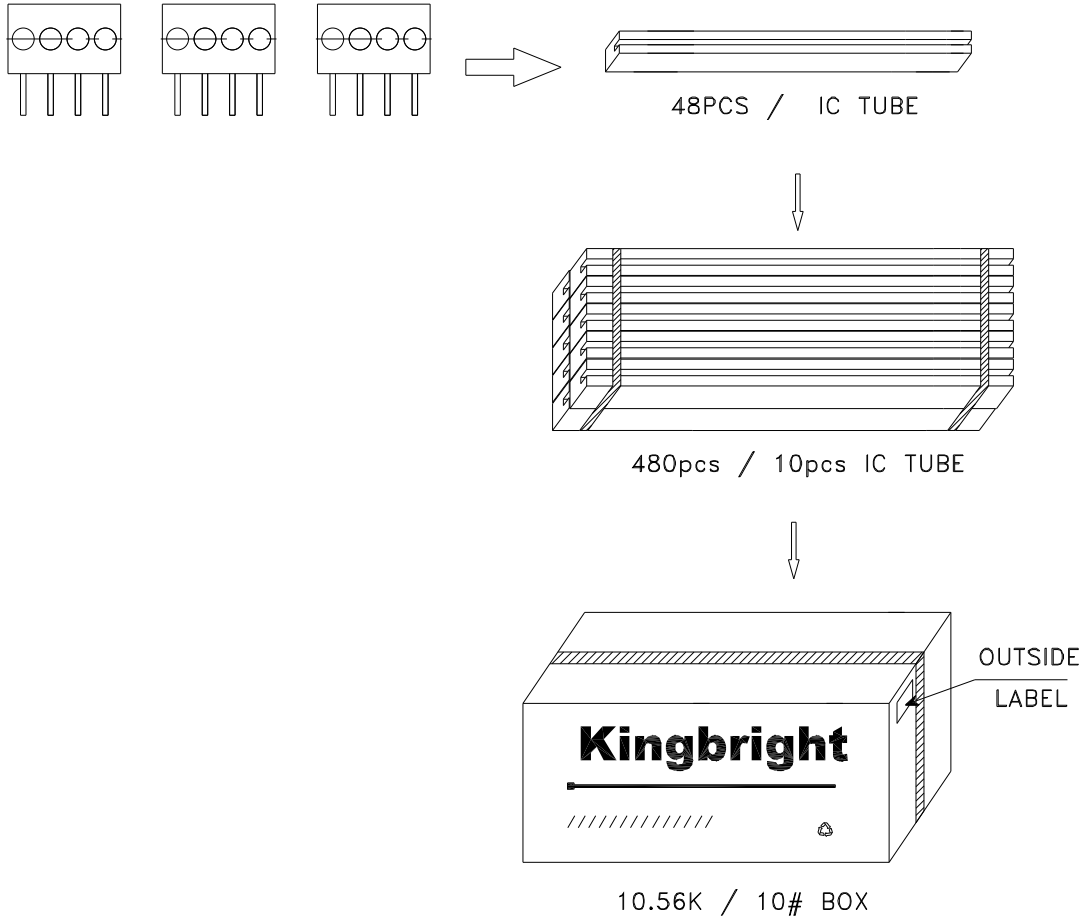
Super Bright Green

AM2520EF/4SGD5V



PACKING & LABEL SPECIFICATIONS

AM2520EF/4SGD5V



| | |
|--|---|
| <h2 style="margin: 0;">Kingbright</h2> | |
| | Q.C. QC XX XX XX PASSED |
| TYPE NO : AM2520EFxxx | |
| QUANTITY : 480 pcs | |
| S/N : XX | CODE: XX |
| LOT NO : <small>XX-HPXXX</small> | |
| RoHS Compliant | |