

PLEASE CHECK WWW.MOLEX.COM FOR LATEST PART INFORMATION

Part Number: **0190030038**
Status: **Active**
Description: InsulKrimp™ Quick Disconnect, Female, for 18-22 (0.80-0.35), Box, Tab 5.21mm (.205") x 0.81mm (.032")

Documents:

[Drawing \(PDF\)](#) [RoHS Certificate of Compliance \(PDF\)](#)
[Product Specification PS-19902-008 \(PDF\)](#)

Agency Certification

UL E79133

General

Product Family Quick Disconnects
 Series 19003
 Comments Funnel Entry
 Crimp Quality Equipment Yes
 Product Name InsulKrimp™
 Type Quick Disconnect

Physical

Barrel Type Closed
 Color - Resin Natural
 Flammability 94V-2
 Gender Female
 Glow-Wire Compliant No
 Insulation Nylon (PA)
 Lock to Mating Part None
 Material - Metal Brass
 Material - Plating Mating Tin
 Material - Plating Termination Tin
 Material - Resin Nylon
 Orientation Straight
 Packaging Type Bag
 Plating min: Mating (µin) 160
 Plating min: Mating (µm) 4
 Plating min: Termination (µin) 160
 Plating min: Termination (µm) 4
 Polarized to Mating Part No
 Tab Thickness 0.81mm (.032")
 Tab Width 5.21mm (.205")
 Temperature Range - Operating -65°C to +105°C
 Termination Interface: Style Crimp or Compression
 Wire Insulation Diameter 3.43mm (.135") max.
 Wire Size AWG 18, 20, 22
 Wire Size mm² 0.35 - 0.80

Electrical

Voltage - Maximum 600V

Material Info

Old Part Number AA-2214

Reference - Drawing Numbers

Product Specification PS-19902-008
 Sales Drawing SD-19003-005

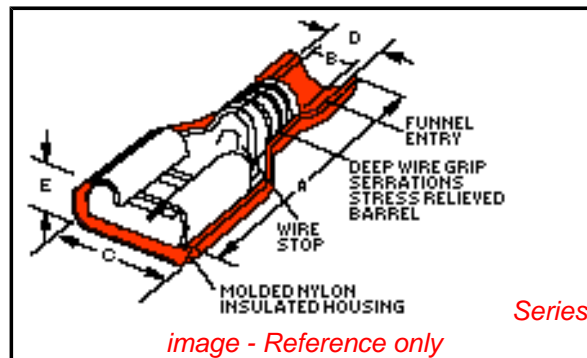


image - Reference only

EU RoHS

ELV and RoHS Compliant

REACH SVHC

Not Reviewed

Halogen-Free

Status

Not Reviewed

China RoHS



Need more information on product environmental compliance?

Email productcompliance@molex.com
 For a multiple part number RoHS Certificate of Compliance, [click here](#)

Please visit the [Contact Us](#) section for any non-product compliance questions.

Search Parts in this Series

[19003Series](#)

Application Tooling | FAQ

Tooling specifications and manuals are found by selecting the products below. Crimp Height Specifications are then contained in the Application Tooling Specification document.

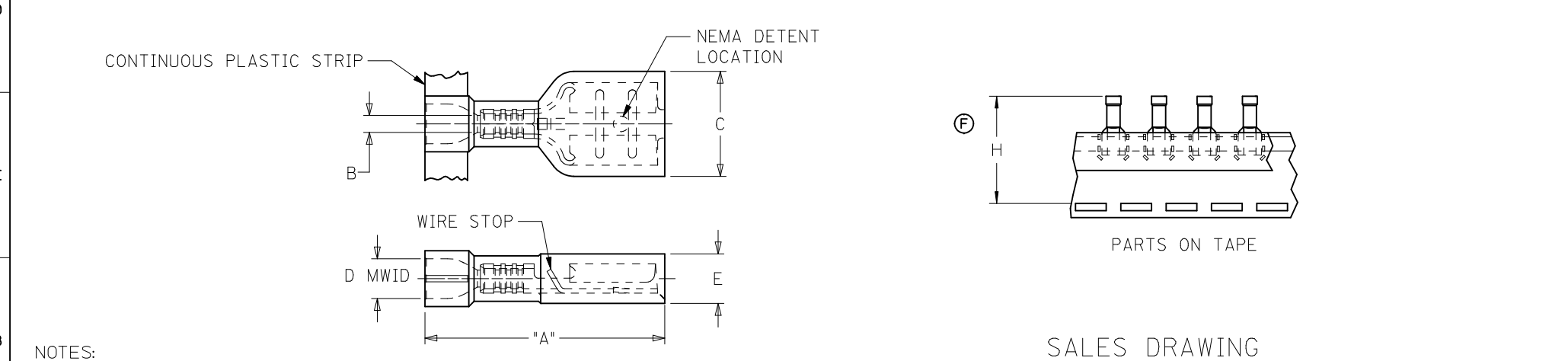
Global

| Description | Product # |
|--|----------------------------|
| Hand Crimp Tool | 0640010400 |
| Hand Crimp Tool | 0640010700 |
| Crimp Head for the AT-200™ Pneumatic Hand Tool | 0640050400 |

This document was generated on 04/13/2010

PLEASE CHECK WWW.MOLEX.COM FOR LATEST PART INFORMATION

| 10 | 9 | 8 | 7 | 6 | 5 | 4 | 3 | 2 | 19003 | | | | | | |
|-----------------------------|---------------------------|----------------------------------|--------------------------------|----------------------------|--------------------------|----------------|-----------------------|------------------|--------------|-----------|-----------|----------|-----------|----------|-------------|
| LOOSE PIECE MATERIAL NUMBER | LOOSE PIECE ENGRNG NUMBER | CONTINUOUS STRIP MATERIAL NUMBER | CONTINUOUS STRIP ENGRNG NUMBER | MYLAR TAPE MATERIAL NUMBER | MYLAR TAPE ENGRNG NUMBER | WIRE RANGE AWG | FITS MALE TAB SIZE | INSULATION COLOR | STOCK THICK. | "A" MAX. | "B" MIN. | "C" MAX. | "D" MWID | "E" MAX. | "H" NOMINAL |
| F 190030071 | M-2212 | 190030106 | M-2212C | 190030073 | M-2212T | 26-24 | .250x.032 (6.35x0.81) | YELLOW | .016/0.41 | .86/21.8 | .030/0.76 | .38/9.7 | .075/1.90 | .18/4.6 | 1.415/35.94 |
| 190030064 | M-2210 | 190030103 | M-2210C | 190030067 | M-2210T | 26-24 | .187x.020 (4.75x0.51) | YELLOW | .016/0.41 | .78/19.8 | .030/0.76 | .32/8.1 | .075/1.90 | .16/4.1 | 1.375/34.93 |
| 190030068 | M-2211 | 190030104 | M-2211C | 190030070 | M-2211T | 26-24 | .187x.032 (4.75x0.81) | DK YELLOW | .016/0.41 | .78/19.8 | .030/0.76 | .32/8.1 | .075/1.90 | .16/4.1 | 1.375/34.93 |
| 190030001 | AA-2201 | 190030105 | AA-2201C | 190030003 | AA-2201T | 22-18 | .250x.032 (6.35x0.81) | RED | .016/0.41 | .86/21.8 | .058/1.47 | .38/9.7 | .135/3.43 | .18/4.6 | 1.415/35.94 |
| 190030036 | AA-2213 | 190030109 | AA-2213C | 190030074 | AA-2213T | 22-18 | .205x.020 (5.21x0.51) | RED | .016/0.41 | .78/19.8 | .058/1.47 | .32/8.1 | .135/3.43 | .16/4.1 | 1.375/34.93 |
| 190030038 | AA-2214 | 190030110 | AA-2214C | 190030075 | AA-2214T | 22-18 | .205x.032 (5.21x0.81) | PINK | .016/0.41 | .78/19.8 | .058/1.47 | .32/8.1 | .135/3.43 | .16/4.1 | 1.375/34.93 |
| 190030011 | AA-2202 | 190030107 | AA-2202C | 190030013 | AA-2202T | 22-18 | .187x.020 (4.75x0.51) | RED | .016/0.41 | .78/19.8 | .058/1.47 | .32/8.1 | .135/3.43 | .16/4.1 | 1.375/34.93 |
| 190030017 | AA-2203 | 190030108 | AA-2203C | 190030020 | AA-2203T | 22-18 | .187x.032 (4.75x0.81) | PINK | .016/0.41 | .78/19.8 | .058/1.47 | .32/8.1 | .135/3.43 | .16/4.1 | 1.375/34.93 |
| E 190030024 | AA-2204 | 190030097 | AA-2204C | 190030026 | AA-2204T | 22-18 | .110x.020 (2.79x0.51) | RED | .012/0.30 | .78/19.8 | .058/1.47 | .23/5.9 | .135/3.43 | .15/3.8 | 1.390/35.31 |
| 190030030 | AA-2205 | 190030098 | AA-2205C | 190030032 | AA-2205T | 22-18 | .110x.032 (2.79x0.81) | PINK | .012/0.30 | .78/19.8 | .058/1.47 | .23/5.9 | .135/3.43 | .15/3.8 | 1.390/35.31 |
| 190030040 | BB-2206 | 190030041 | BB-2206C | 190030042 | BB-2206T | 16-14 | .250x.032 (6.35x0.81) | BLUE | .016/0.41 | .86/21.8 | .083/2.10 | .38/9.7 | .160/4.06 | .18/4.6 | 1.415/35.94 |
| 190030062 | BB-2215 | 190030085 | BB-2215C | 190030077 | BB-2215T | 16-14 | .205x.020 (5.21x0.51) | BLUE | .016/0.41 | .78/19.8 | .083/2.10 | .32/8.1 | .160/4.06 | .17/4.3 | 1.405/35.69 |
| 190030063 | BB-2216 | 190030086 | BB-2216C | 190030078 | BB-2216T | 16-14 | .205x.032 (5.21x0.81) | AQUA | .016/0.41 | .78/19.8 | .083/2.10 | .32/8.1 | .160/4.06 | .17/4.3 | 1.405/35.69 |
| 190030050 | BB-2207 | 190030051 | BB-2207C | 190030052 | BB-2207T | 16-14 | .187x.020 (4.75x0.51) | BLUE | .016/0.41 | .78/19.8 | .083/2.10 | .32/8.1 | .160/4.06 | .17/4.3 | 1.405/35.69 |
| 190030056 | BB-2208 | 190030057 | BB-2208C | 190030058 | BB-2208T | 16-14 | .187x.032 (4.75x0.81) | AQUA | .016/0.41 | .78/19.8 | .083/2.10 | .32/8.1 | .160/4.06 | .17/4.3 | 1.405/35.69 |
| 196060002 | 19606-0002 | 196060001 | 19606-0001 | 196060003 | 19606-0003 | 12-10 | .250x.032 (6.35x0.81) | YELLOW | .018/0.46 | 1.03/26.1 | .120/3.04 | .38/9.7 | .235/5.97 | .22/5.6 | 1.530/38.86 |



- NOTES:
- MATERIAL: TERMINAL: BRASS
PLATING: ELECTRO-TIN
FERRULE: BRASS
PLATING: ELECTRO-TIN
INSULATION: NYLON 6/6 94V-2.
COLOR: SEE CHART
 - MWID = MAXIMUM WIRE INSULATION DIAMETER
 - PARTS ARE ROHS COMPLIANT.

SALES DRAWING

| | | | | | |
|---|---|---|--|--|---|
| BB 187 TAPE HTS EC NO: WNA2010-0619 TDR: WNETHRODAHL 2010/04/12 CHKD: JMACNEIL 2010/04/13 APPR: JMACNEIL 2010/06/01 REV | QUALITY SYMBOLS ▽=0 ▽=0 | GENERAL TOLERANCES (UNLESS SPECIFIED) mm INCH 4 PLACES ± --- ± --- 3 PLACES ± --- ± --- 2 PLACES ± --- ± --- 1 PLACE ± --- ± --- ANGULAR ± ---° | DIMENSION STYLE IN/MM DRAWN BY DATE BRE 02/03/20 CHECKED BY DATE HEB 02/03/20 APPROVED BY DATE RWD 02/03/20 | SCALE --- DESIGN UNITS INCH THIRD ANGLE PROJECTION | TITLE INSULKRIMP FEMALE FIQD STANDARD FLARE |
| | DRAFT WHERE APPLICABLE MUST REMAIN WITHIN DIMENSIONS | | MATERIAL NO. SEE CHART | DOCUMENT NO. SD-19003-005 | SHEET NO. 1 OF 1 |
| | THIS DRAWING CONTAINS INFORMATION THAT IS PROPRIETARY TO MOLEX INCORPORATED AND SHOULD NOT BE USED WITHOUT WRITTEN PERMISSION | | | | |
| | MOLEX INCORPORATED | | | | |