

# MF1012S-1

FOR GPS SYSTEM

MF1012S-1

## DESCRIPTION

This SAW filter for the transmitting or receiving RF circuit of Global Positioning System.

## FEATURES

1. SMD package insures small size, lightweight.
2. Adjustment free.
3. Low insertion loss and high stop band attenuation.
4. Wide and sharp passband characteristics.
5. High stability and reliability.
6. Designed for reflow solderings.

## APPLICATION

- Global Positioning System (Automobile)
- Global Positioning System (Portable equipment)

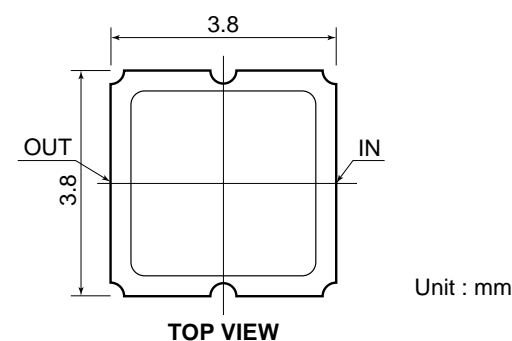
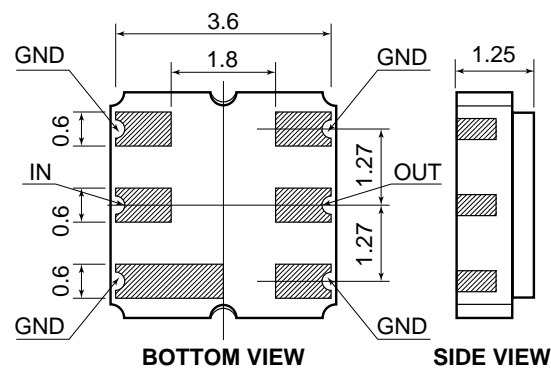
## MAXIMUM RATINGS

Rating	Value	Unit
Input Power	40	mW
Operating Temperature Range	-20 to 75	°C
Storage Temperature Range	-30 to 85	°C

## ELECTRICAL PERFORMANCE

Parameter	MF1012S-1			Units
	Min	Typ	Max	
PASSBAND FREQUENCY	1574.42 – 1576.42			MHz
PASSBAND CHARACTERISTICS				
Insertion Loss		2.0	2.7	dB
Ripple		0.2	1.0	dBp-p
VSWR		1.4	2.0	
STOPBAND ATTENUATION				
0 – 1370 MHz	30	37		dB
1370 – 1520 MHz	20	25		dB
1660 – 1800 MHz	30	33		dB

## PACKAGE OUTLINE DIMENSIONS



DIMENSIONS ARE IN MILLIMETERS  
±0.2 UNLESS OTHERWISE SPECIFIED

## MF1012S-1 TYPICAL CHARACTERISTICS

